

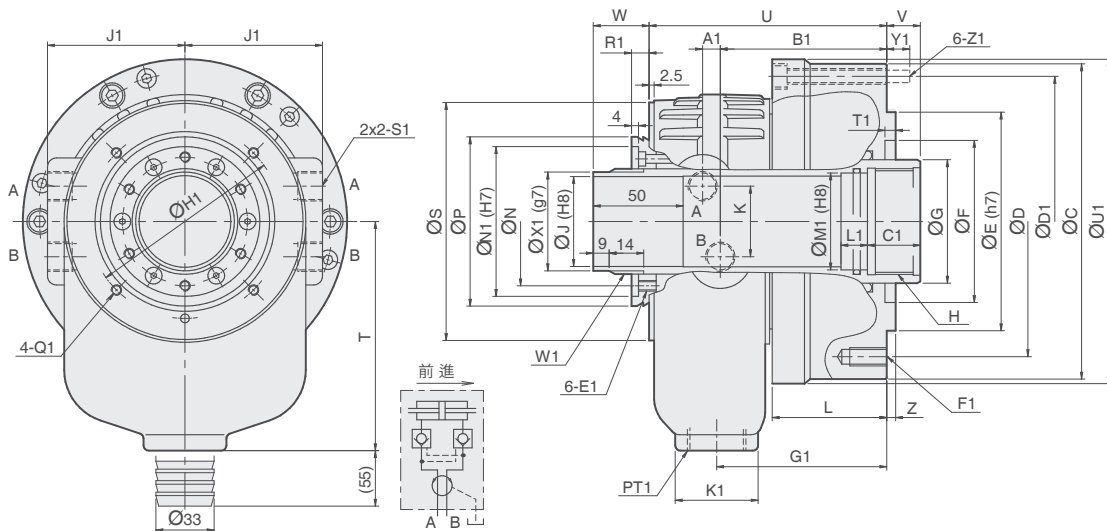


Product schematic

MB

Compact High Speed Through-hole Rotary Hydraulic Cylinder

1. The compact hydraulic cylinder which is shortened the length about 30% and light weight can reduce the spindle loading while running in high speed.
2. Safety structure with built-in patented check valve mechanism ensures that pressure is maintained immediately when abnormal power failure.
3. The newly patented model with opened back-end design is convenient for back-mounted bolt.



UNIT : mm

SPEC Model	Piston Dia. (mm)	Piston Area (cm ²) Push Side / Pull Side	Max. Draw Bar Force (kN)(kgf) Push Side / Pull Side	Piston Stroke (mm)	Max. Operating Pressure (MPa)(kgf / cm ²)	Max. Speed (r.p.m.)	Moment Of Inertia (kg · m ²)	Weight (kg)	Total Leakage (L/min)
MB2091	200	233.1 / 216	87(8871) / 80.6(8218)	30	4.0(40.8)	3800	0.13	24.5	4.5

DIM Model	C	D	D1	E	F	G	H	J	K	L	N	P	S	T	U	V max.	V min.	W max.	W min.	Z
MB2091	244	215	225	180	140	110	M100x2	91	46	83.5	108	138	180	180	170	30	0	55	25	5

DIM Model	A1	B1	C1	E1	F1	G1	H1	J1	K1	L1	M1	N1	Q1	R1	S1	T1	U1	W1	X1	Y1	Z1
MB2091	10	121	35	M6x12	12-M12x24	121	165	107	47	15	95	120	M6x12	7	PT 1/2"	6	247	M99x2	96	17	M10