

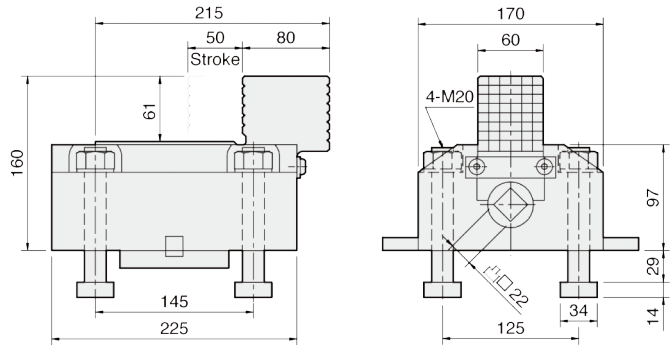
Product schematic

HB4

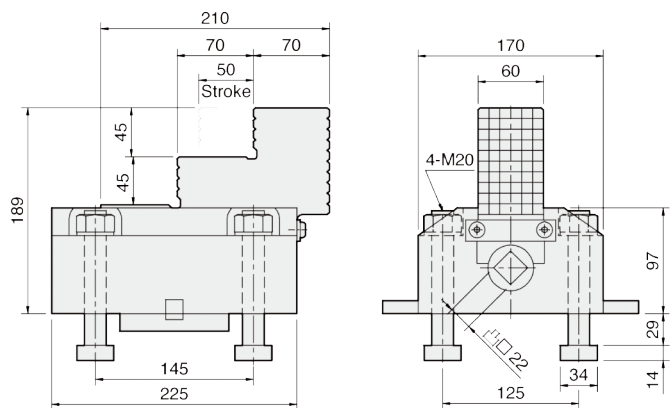
Boring mill jaw

1. Clamping of workpiece for larger size lathe, vertical lathe, die set with jig.
2. One set of 4-piece with T-bolt.

UNIT : mm			
SPEC Model	Jaw Stroke (mm)	Max. Gripping Force (kN)	Weight (kg)
HB4-160	50	39,2	29



UNIT : mm			
SPEC Model	Jaw Stroke (mm)	Max. Gripping Force (kN)	Weight (kg)
HB4-189	50	39,2	31



UNIT : mm				
SPEC Model	Jaw Stroke (mm)	Max. Gripping Force (kN)	Weight (kg)	Matching Soft Jaw
HB4-2P	50	39,2	31	HE2486

