

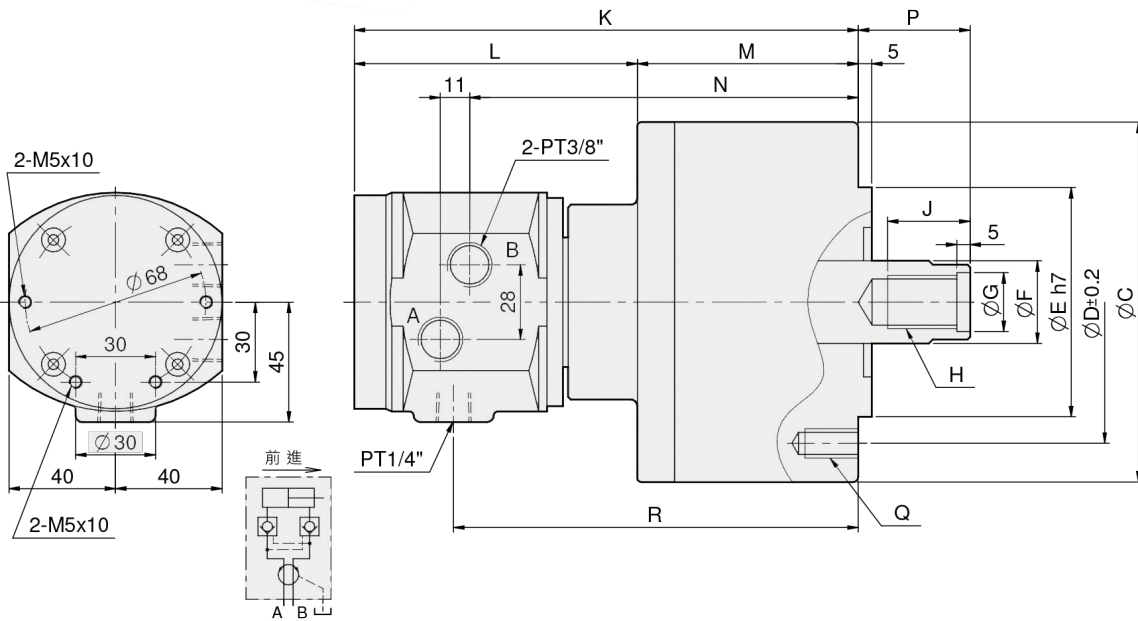


Product schematic

# MS

## Non through-hole rotary hydraulic cylinder (valve included)

- Built-in safety check valves.



UNIT : mm

| SPEC Model | Piston Dia. (mm) | Piston Area (cm <sup>2</sup> )<br>Push Side / Pull Side | Max. Draw Bar Force (kN)(kgf)<br>Push Side / Pull Side | Piston Stroke (mm) | Max. Operating Pressure (MPa)(kgf / cm <sup>2</sup> ) | Max. Speed (r.p.m.) | Moment Of Inertia I <sub>1</sub> (kg · m <sup>2</sup> ) | Weight (kg) | Total Leakage (L/min) |
|------------|------------------|---|--|--------------------|---|---------------------|---|-------------|-----------------------|
| MS105      | 105              | 86 / 79   | 32(3263) / 29(2957)                                    | 20                 | 4.0(40.8)   | 6000                | 0.0125  | 7.1         | 0.8                   |
| MS125      | 125              | 122 / 113   | 46(4691) / 42(4283)                                    | 25                 | 4.0(40.8)   | 6000                | 0.0225  | 10          | 0.8                   |
| MS150      | 150              | 176 / 160   | 66(6730) / 60(6118)                                    | 30                 | 4.0(40.8)   | 5500                | 0.0475  | 13.5        | 0.8                   |
| MS200      | 200              | 314 / 290   | 117(11930) / 108(11013)                                | 35                 | 4.0(40.8)   | 5500                | 0.0975  | 22          | 0.8                   |

| DIM Model | C   | D   | E   | F  | G  | H       | J  | K   | L   | M   | N   | P <sub>max.</sub> | P <sub>min.</sub> | Q         | R   |
|-----------|-----|-----|-----|----|----|---------|----|-----|-----|-----|-----|-------------------|-------------------|-----------|-----|
| MS105     | 135 | 100 | 80  | 30 | 21 | M20x2.5 | 35 | 197 | 108 | 89  | 152 | 45                | 25                | 6-M10x20  | 158 |
| MS125     | 160 | 130 | 110 | 35 | 25 | M24x3.0 | 44 | 205 | 108 | 97  | 160 | 51                | 26                | 6-M12x24  | 166 |
| MS150     | 190 | 130 | 110 | 45 | 31 | M30x3.5 | 45 | 214 | 108 | 106 | 169 | 56                | 26                | 12-M12x24 | 175 |
| MS200     | 245 | 145 | 120 | 55 | 37 | M36x4.0 | 60 | 228 | 108 | 122 | 183 | 69                | 34                | 12-M16x30 | 189 |