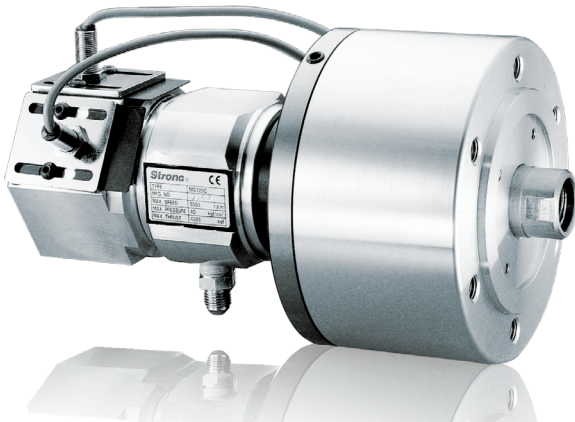


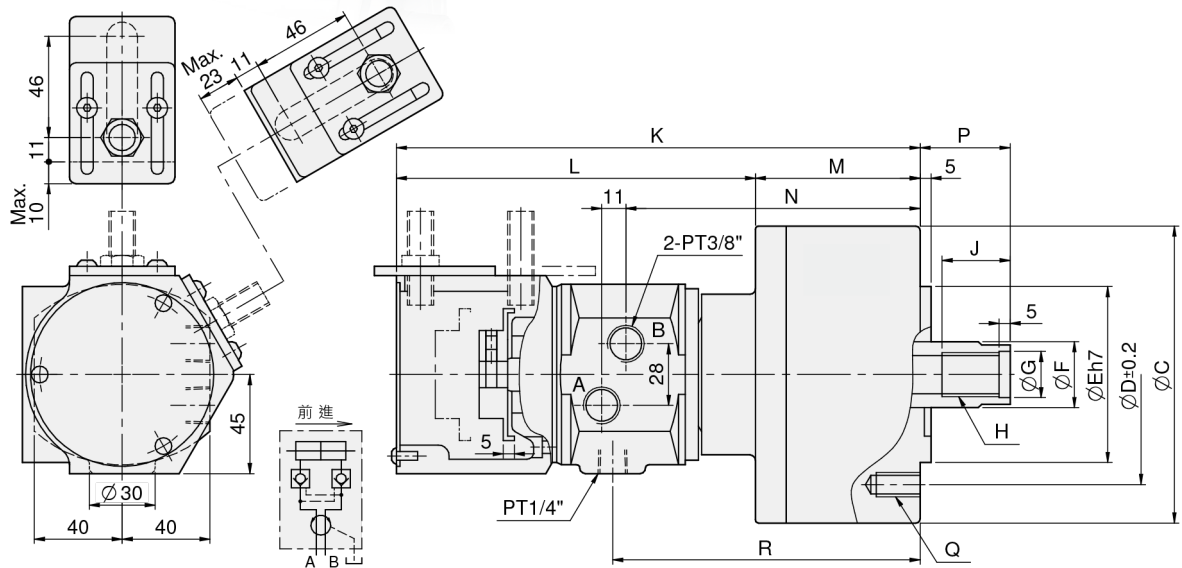
MS-C

Non through-hole rotary hydraulic cylinder (valve and switch brackets included)



1. Check valve is included.
2. Check-up safety device is included.
3. The proximity switches are extra option.

Product schematic



UNIT : mm

SPEC Model	Piston Dia. (mm)	Piston Area (cm ²) Push Side / Pull Side	Max. Draw Bar Force (kN(kgf)) Push Side / Pull Side	Piston Stroke (mm)	Max. Operating Pressure (MPa(kgf / cm ²))	Max. Speed (r.p.m.)	Moment Of Inertia I (kg · m ²)	Weight (kg)	Total Leakage (L/min)
MS105C	105	84 / 79	31 (3161) / 29 (2957)	20	4.0(40.8)	6000	0.0125	7.6	0.8
MS125C	125	120 / 113	45 (4589) / 42 (4283)	25	4.0(40.8)	6000	0.022	10.5	0.8
MS125C35	125	120 / 113	45 (4589) / 42 (4283)	35	4.0(40.8)	6000	0.022	10.5	0.8
MS150C	150	174 / 160	65 (6628) / 60 (6118)	30	4.0(40.8)	5500	0.047	14	0.8
MS200C	200	312 / 290	117 (11930) / 108 (11013)	35	4.0(40.8)	5500	0.097	22.5	0.8

DIM Model	C	D	E	F	G	H	J	K	L	M	N	P max.	P min.	Q	R
MS105C	135	100	80	30	21	M20x2.5	35	257	168	89	152	45	25	6-M10x20	158
MS125C	160	130	110	35	25	M24x3.0	44	265	168	97	160	51	26	6-M12x24	166
MS125C35	160	130	110	35	25	M24x3.0	44	269	168	101	164	57	22	6-M12x24	170
MS150C	190	130	110	45	31	M30x3.5	45	274	168	106	169	56	26	12-M12x24	175
MS200C	245	145	120	55	37	M36x4.0	60	288	166	122	183	69	34	12-M16x30	189

- Draw bar pull force : Pressure 4.0 MPa(40.8kgf / cm²)
- Total leakage : Pressure 3.0 MPa(30.6kgf / cm²) and oil temperature 50°C
- Proximity switch : Model BESS 16-329-E4-Y (BALLUFF) DC 12 / 24V 200mA NPN