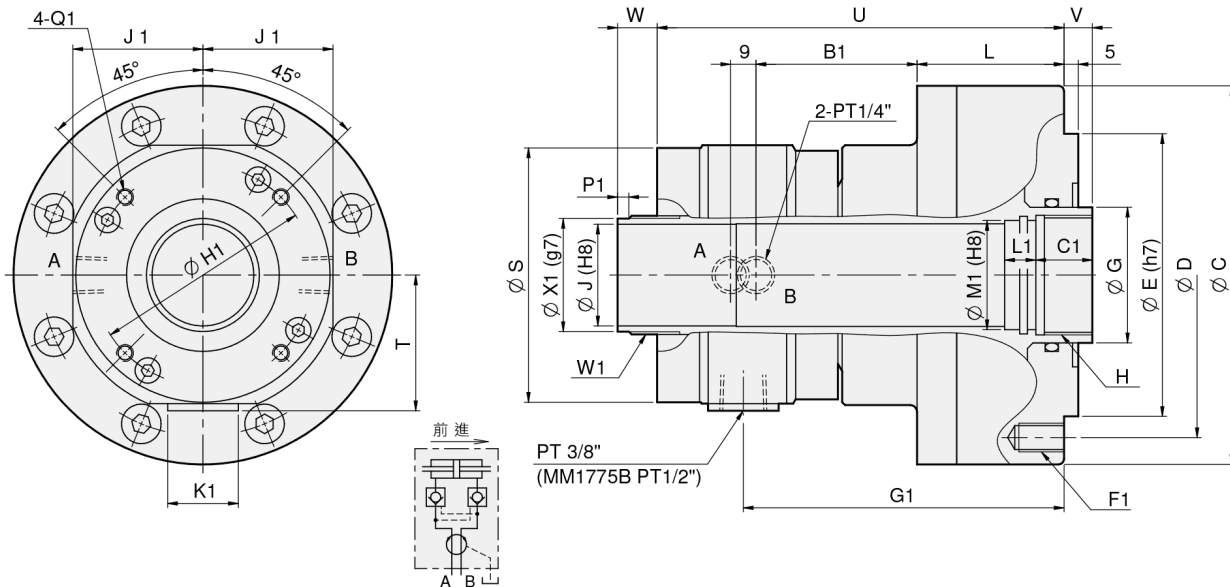


Product schematic

MM

High speed and compact through-hole rotary hydraulic cylinder

1. Compact hydraulic cylinder design with light weight can reduce the spindle loading while running in high speed.
2. Built-in check valve in safety auto lock and pressure relief valve in case of power failure occur.



UNIT : mm

SPEC Model	Piston Dia. (mm)	Piston Area (cm ²) Push Side / Pull Side	Max. Draw Bar Force kN(kgf) Push Side / Pull Side	Piston Stroke (mm)	Max. Operating Pressure MPa(kgf / cm ²)	Max. Speed (r.p.m.)	Moment Of Inertia I (kg · m ²)	Weight (kg)	Total Leakage L/min
MM0933B	90	50.3 / 47	19.1(1947) / 17.8(1815)	10	4.0(40.8)	8000	0.012	5.9	0.8
MM1036B	100	64 / 60	23.8(2427) / 22.3(2274)	5	4.0(40.8)	8000	0.013	7	0.8
MM1036B15	100	64 / 60	23.8(2427) / 22.3(2274)	15	4.0(40.8)	8000	0.014	7.4	0.8
MM1246B	125	100 / 89	38(3875) / 33(3365)	15	4.0(40.8)	7000	0.027	11.8	3.0
MM1552B	155	161 / 150	60(6118) / 56(5710)	22	4.0(40.8)	6200	0.046	16	3.0
MM1775B	170	169 / 154.5	63.5(6475) / 58(5914)	25	4.0(40.8)	4200	0.081	22	4.5

DIM Model	C	D	E	G	H	J	L	S	T	U	V	V	W	W	B1	C1	F1	G1	H1	J1	K1	L1	M1	Q1	W1	P1	X1
											max.	min.	max.	min.													
MM0933B	120	100	80	46	M40x1.5	33	59	90	48	152	10	0	30	20	58	25	6-M8x15	121.5	76	46	25	10	36	M4x9L	M39xP1.5	5	37
MM1036B	134	115	100	48	M42x1.5	36	52	90	48	144	10	5	17	12	57	20	6-M10x15	113.5	76	46	25	10	38	M4x9L	M42xP1.5	2	40
MM1036B15	134	115	100	48	M42x1.5	36	66	90	48	158	15	0	30	15	57	25	6-M10x15	127.5	76	46	25	15	38	M4x9L	M42xP1.5	3	40
MM1246B	155	130	100	65	M55x2.0	46	76	117	61	179	15	0	40	25	59.5	30	12-M10x20	140	98	59	25	15	50	M5x6L	M52xP1.5	9	50
MM1552B	190	170	130	70	M60x2.0	52	84	135	68	189	22	0	47	25	62.5	30	12-M10x20	150	110	68	25	15	55	M6x6L	M58xP1.5	9	56
MM1775B	212	190	160	95	M85x2.0	75	95	164	82.5	208	25	0	50	25	64	35	12-M10x20	163.5	155	82.5	31	15	80	M6x10L	M84xP2.0	9	81