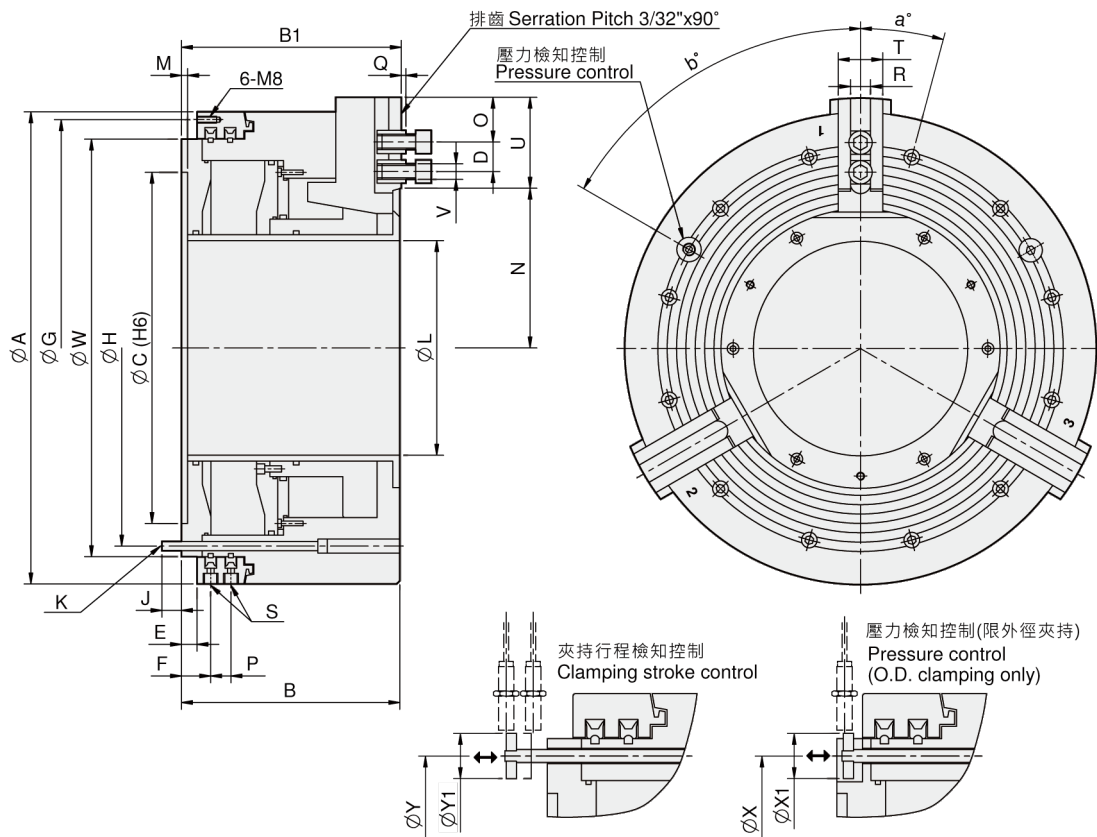


# PB-ES

## Pneumatic power chuck

1. Suitable for Pneumatic chuck of outer diameter clamping that contains a structure of pneumatic cylinder.
2. Possess the feature of fast and clamping with two-stage jaw stroke.
3. Can check up the internal pressure during clamping.
4. Can check up clamping stroke.

Product schematic



UNIT : mm

SPEC Model	Through-Hole (mm)	Total Jaw Stroke (mm)	Fast Jaw Stroke (mm)	Clamping Jaw Stroke (mm)	Piston Area (cm <sup>2</sup> )	Operating Pressure Min.-Max. (bar)	Gripping* Force (kN)	Max. Speed (r.p.m.)	Weight (kg)	Moment Of Inertia I <sub>1</sub> (kg · m <sup>2</sup> )	Air* Consumption (L)	Matching Hard Jaw	Matching Soft Jaw	Gripping O.D. Range (mm)
600-275	275	25.4	16.9	8.5	954	2-10	180	1100	360	20.6	39.5	PB600	PB600	Ø135-Ø275
850-375	375	25.4	13.4	12	1342	2-10	250	750	980	110	68	PB850	PB850	Ø115-Ø375

\*When operating pressure at 6 bar.

DIM Model	A	B	B1	C	D max./min.	E	F	G	H	J	K	L	M	N max./min.	O min.	P	Q	R	S	T	U	V	W	X	X1	Y	Y1	a°	b°
600-275	605	280	282	450	79/38	20	37	585	508	25	12-M12	275	8	204.6/179.2	14	26	3	25.5	G1/2	57	116.5	M20	535	508	35	508	35	15	60
850-375	850	352	354	700	140/47	25	44.5	830	745	30	12-M16	375	8	268/242.6	16	33	4	30	G1/2	75	182	M24	775	745	35	745	35	15	60